

High Resolution

OEM weigh cells

WZA16-LC

WZA...	16-LC
Capacity	10 g
Readability	1 μ g

The Basic series focus just on the essentials. Sartorius provides the mechanical and electronic solution. These weighing devices should be integrated by the system provider to overcome the influences of the ambient conditions.

The weigh cell consist of two parts:

- A monolithic weighing system in stainless steel IP44 housing
- Aluminium E-Box with all electronic parts fix to a metal board



- An optional display is available
- Force compensation technology weighing system offers a full range 10g with a readability of 1 μ g
- Application related weigh pan design
- Integrated weigh pan overload protection
- Possibility for under floor weighing
- Fast warm-up by separation of weighing system and electronics
- Internal calibration weight for easy checks in automated environments
- USB/RS232C interface for configuration, data transfer and internal calibration
- Optional PC-software with menu setting, weigh data display and internal calibration functions

Technical Data



Electronic box



YAC01MSE (optional)

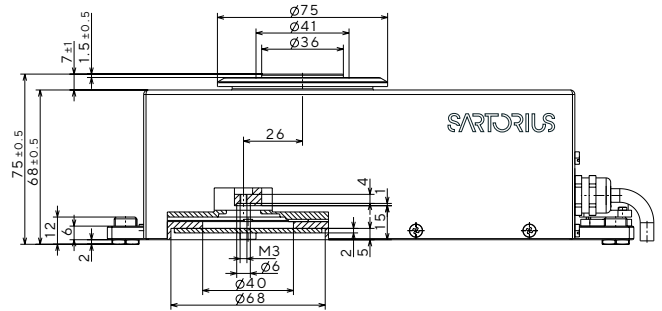
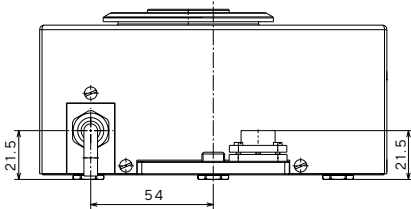
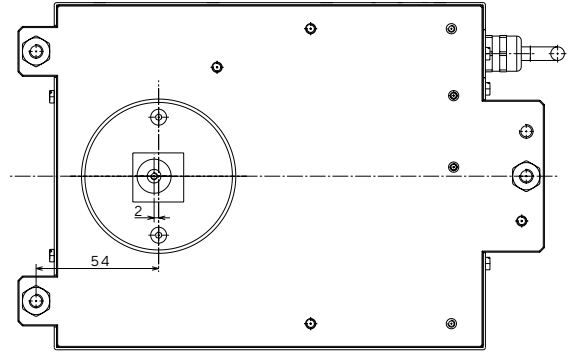
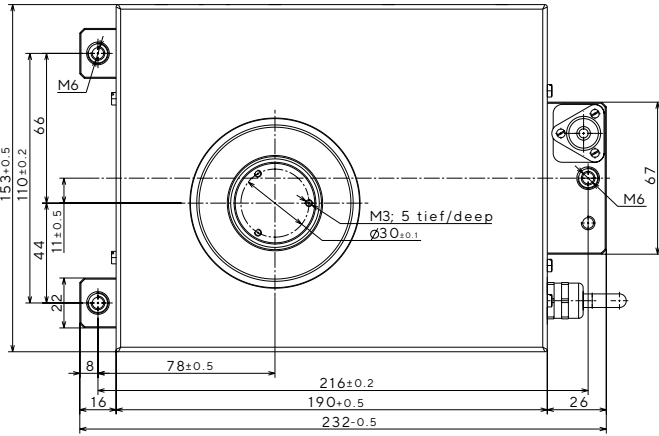
Model	WZA16-LC
Capacity	10 g
Readability	1 µg
Preload ¹⁾	12.5 g
Repeatability (standard deviation) ²⁾	≤± 3 µg
Linearity	≤± 0.03 mg
Measuring time ²⁾³⁾	3 s ≤± 5 µg
Operating temperature range	+10 ... +30 °C
Allowable temperature range	+5 ... +40 °C
Weigh cell dimension	153 × 232 × 75 mm (base × height)
Electronic metal board dimensions Box	196 × 136.5 × 34 mm 200 × 139 × 43,5 mm (base × height) without connectors
Load receptor (with overload protection)	36 mm (diameter), weight of the load receptor is 13.5 ± 0.5 g
Under floor load receptor	M3 thread
Cable length weigh cell to electronics	2.8 m
Power supply	TNG10 6971987; 115 230V _{AC} , +15 ... -20%, 48 - 60Hz
Power supply (alternative)	15...26, optimal 15V (+15% - 10%); 0.5V _{pp} (Peak to Peak)
Power consumption	9 VA
Interface	USB-B, RS232C, software hardware handshake

Options | Accessories

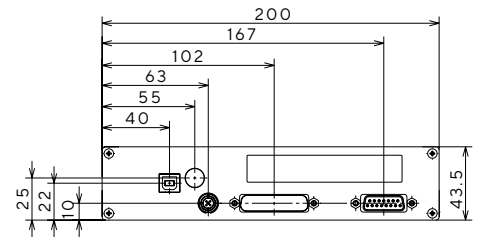
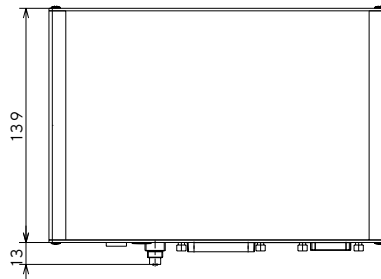
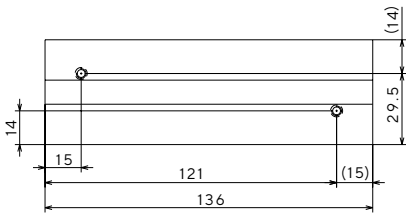
Windows configuration software for test and adjustment	Sartorius CAS Suite
Connection cable 25 / 9 RS232 RS232-USB	RS232 7357314 YCC01-USBM2
Connection cable USB A to USB B	buy local
Liquid-crystal display	YAC01MSE

- 1) the preload can be configured by using the Sartorius CAS Suite software; higher preload will reduce the weighing range
 2) depending on measurement equipment set-up and conditions;
 3) measuring time is the time in which the measured value is in the given range around the static end value; test weight is approx. 25% of the weighing range.

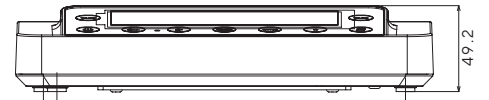
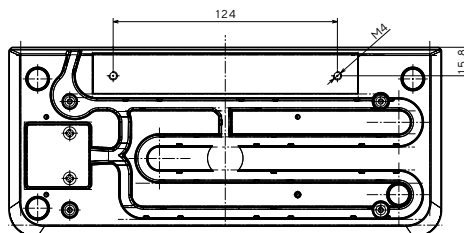
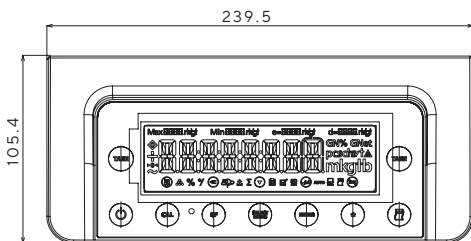
Weigh cell



Electronic box



Optional YAC01MSE



Dimensions in mm

Germany

Sartorius Lab Instruments GmbH & Co. KG
Otto-Brenner-Strasse 20
37079 Goettingen
Phone +49 551 308 0

France & Suisse Romande

Phone +33 170 62 50 00

Finland & Baltics

Phone +358 9 755 951

Italy

Phone +39 0362 5557 11

U.K.

Phone +44 1372 737159

USA

Toll-free +1 800 635 2906

China


Phone +86 21 6878 2300

Japan

Phone +81 3 6478 5200

South Korea

Phone +82 31 622 5700

 For further contacts, visit
www.sartorius.com