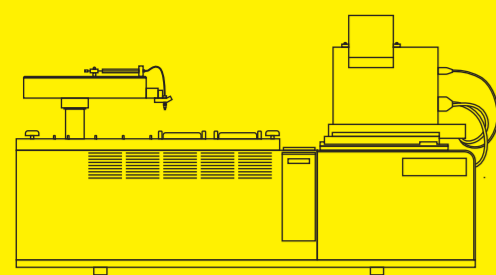


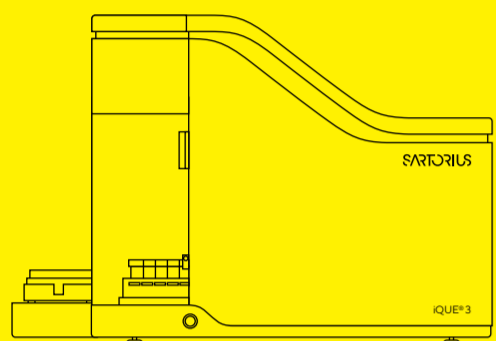
Biologics Molecule Development Workflow—Sartorius Solutions for Every Step of the Process

Simplify and Accelerate Your Development Process From Ideation to the Candidate Molecule



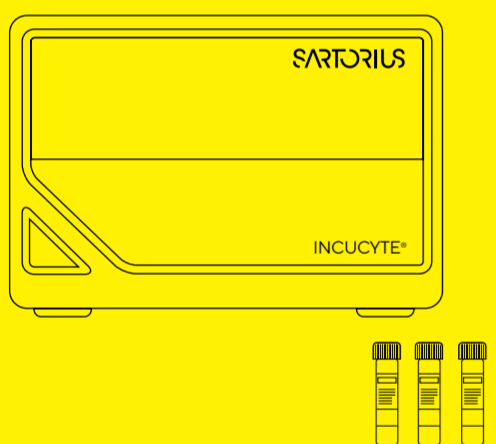
CellCelector Automated Cell Imaging and Picking System

- High-throughput single plasma B cell and hybridoma clone screening for antibody discovery
- Massively parallel cocultivation of different cell types for functional studies
- Rare single cell detection and isolation



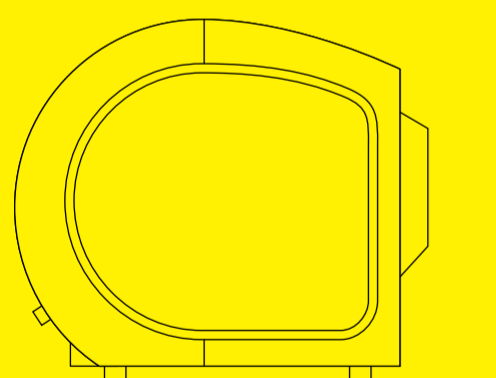
iQue® Advanced Flow Cytometry Platform

- High content, multifactorial results for greater biological insight
- Unparalleled speed allows library screening in days, not months



Incucyte® Live-Cell Analysis System

- Remote image acquisition and analysis while cells remain safely within their tissue culture environment
- More biologically and physiologically relevant insights



Octet® Label-Free Biomolecular Interaction Analysis

- Parallel processing of up to 96 samples; non-destructive and in real-time
- Quantitation or binding kinetics measured directly in unpurified samples



Sartoclear Dynamics® Lab V Kits

- Harvesting of proteins in one step

Vivaspin® | Vivaflow® Ultrafilters and Vivapure® Membrane Adsorbers

- Concentration, diafiltration and purification of antibodies and antigens



Target Identification

Test target hypothesis to establish the proof of concept by modulating or silencing a protein of interest under different conditions

Library Screening

Screen whole-cell binding hybridoma, single B cells or phage library to identify positive hits

Hit Confirmation

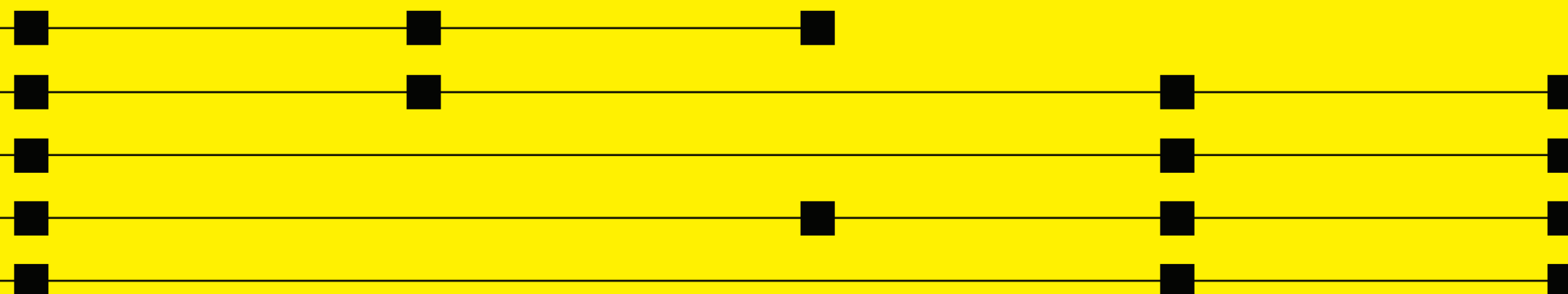
Confirm hits in kinetic binding assays

Lead Evaluation and Optimization

Assess and optimize properties of lead candidates: titer, affinity to target, epitope binning, cross-reactivity

Candidate Characterization

Characterize lead candidates for receptor binding and other functional properties



See also our Cell Line Development Solutions

SARTORIUS